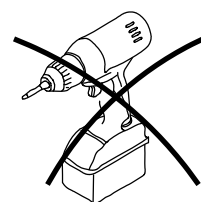
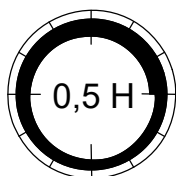
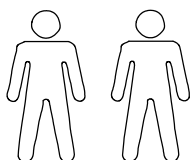
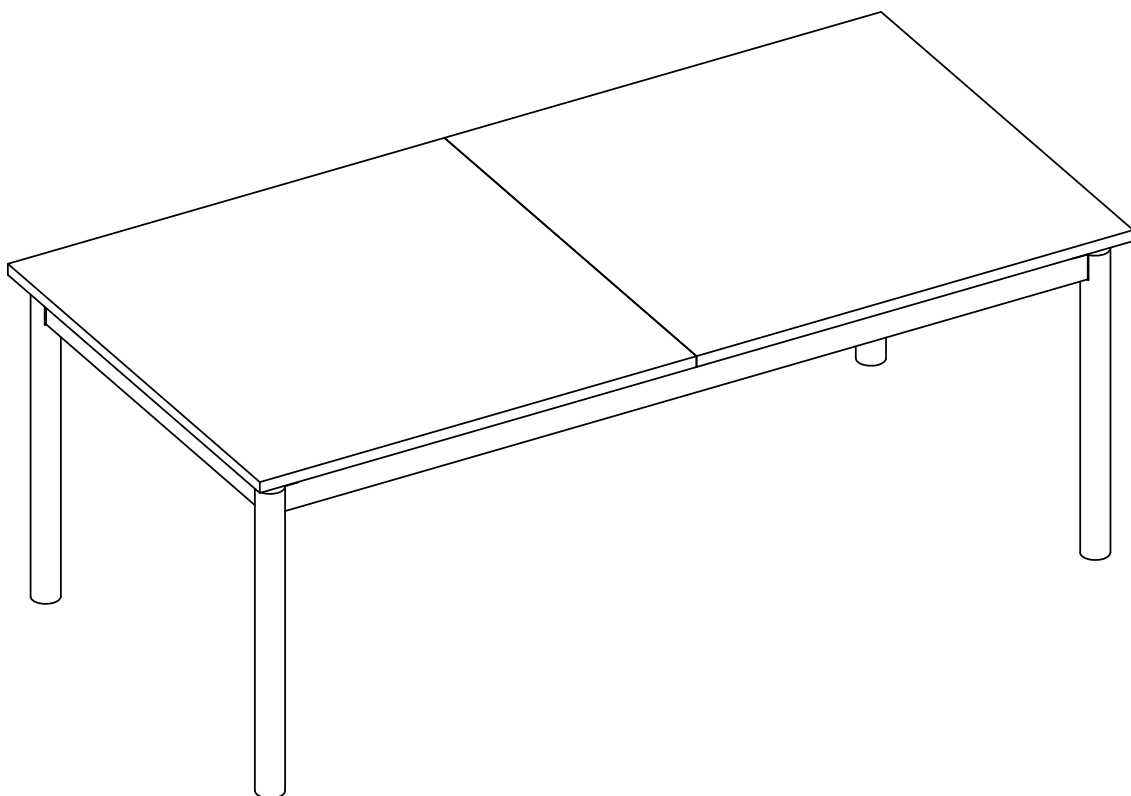
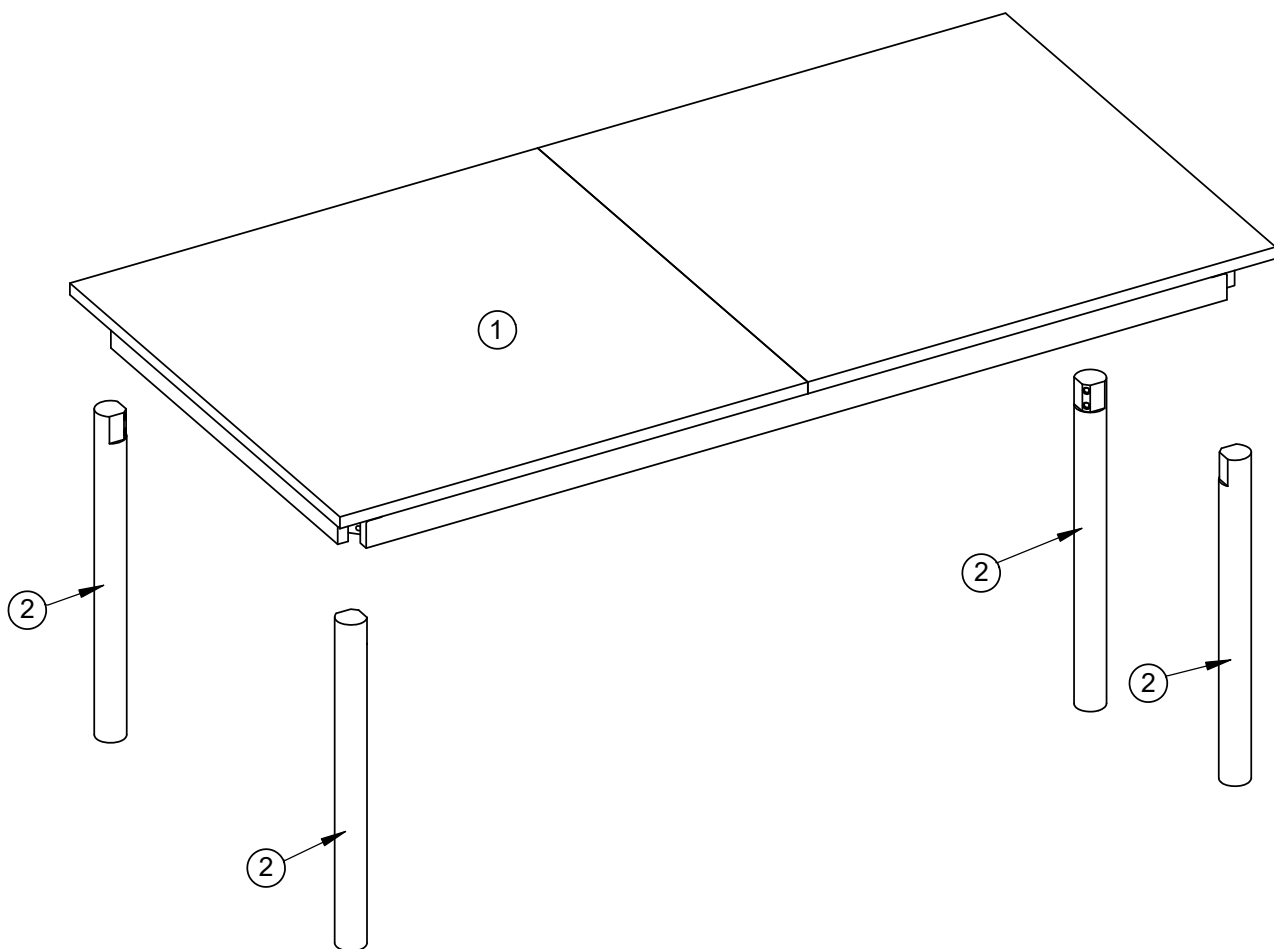
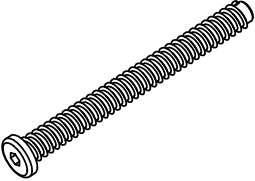

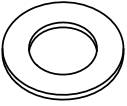

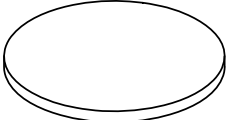


TUCSON


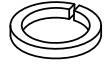




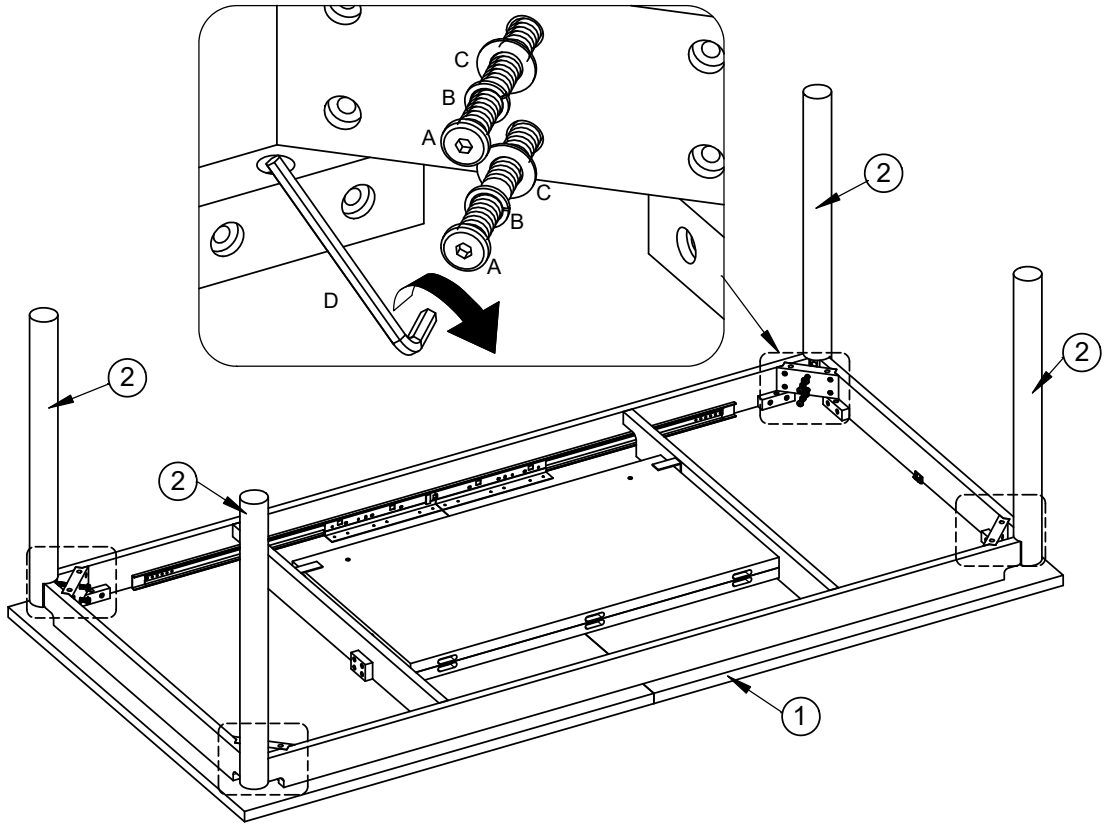
			✓
①	1	2000x1000x110.5	
②	4	701.5x ϕ 60	



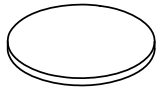
A x 8	B x 8	C x 8	D x 1	E x 4
				
M8x85 mm	ϕ 8 mm	ϕ 8/ ϕ 22 mm	5 mm	ϕ 35x3 mm

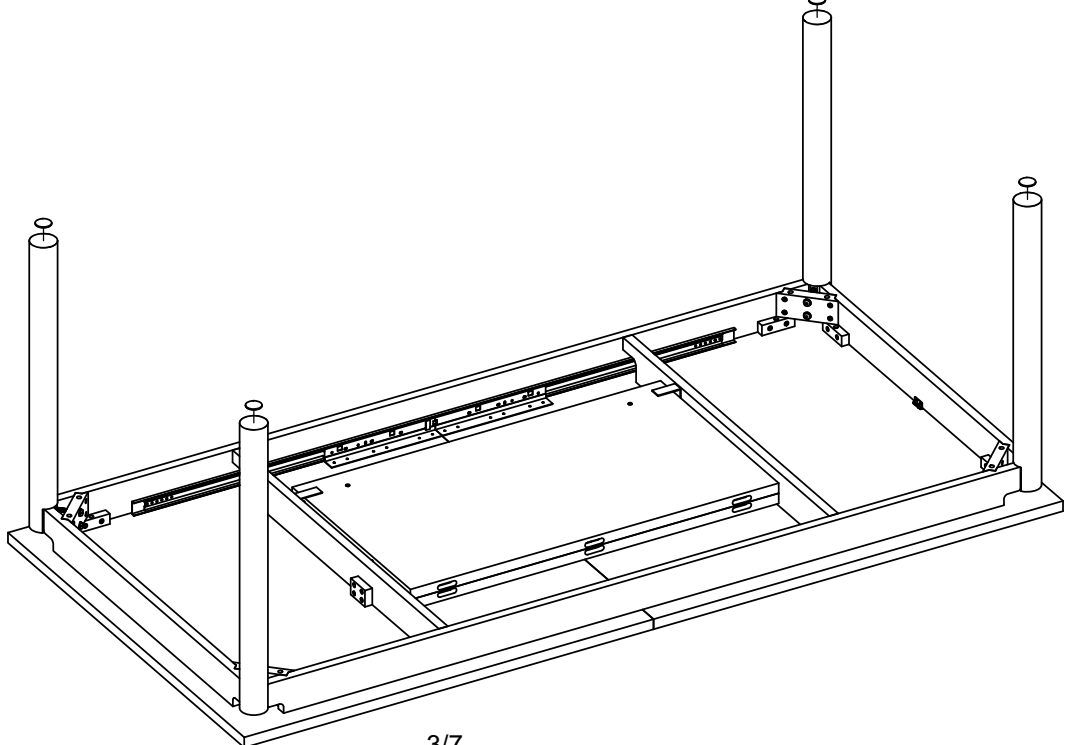
1

A x 8  M8x85 mm	B x 8  Ø 8 mm	C x 8  Ø 8/Ø 22 mm	D x 1  5 mm
--	--	---	--

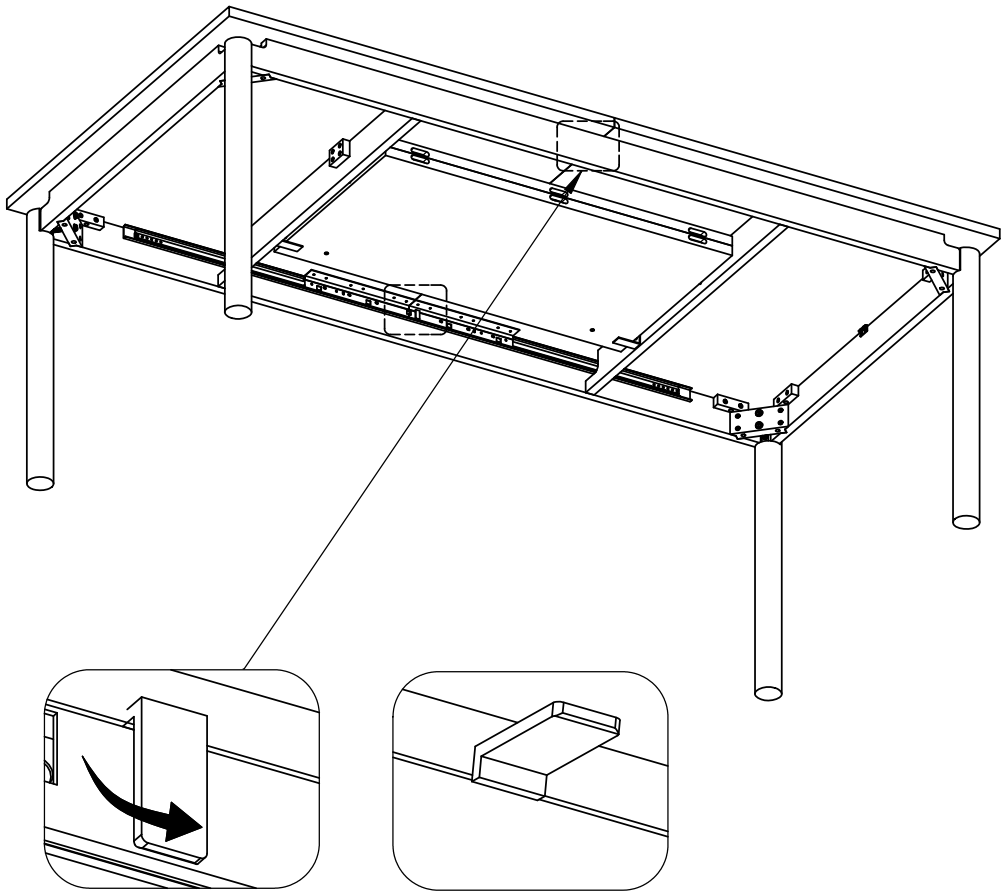


2

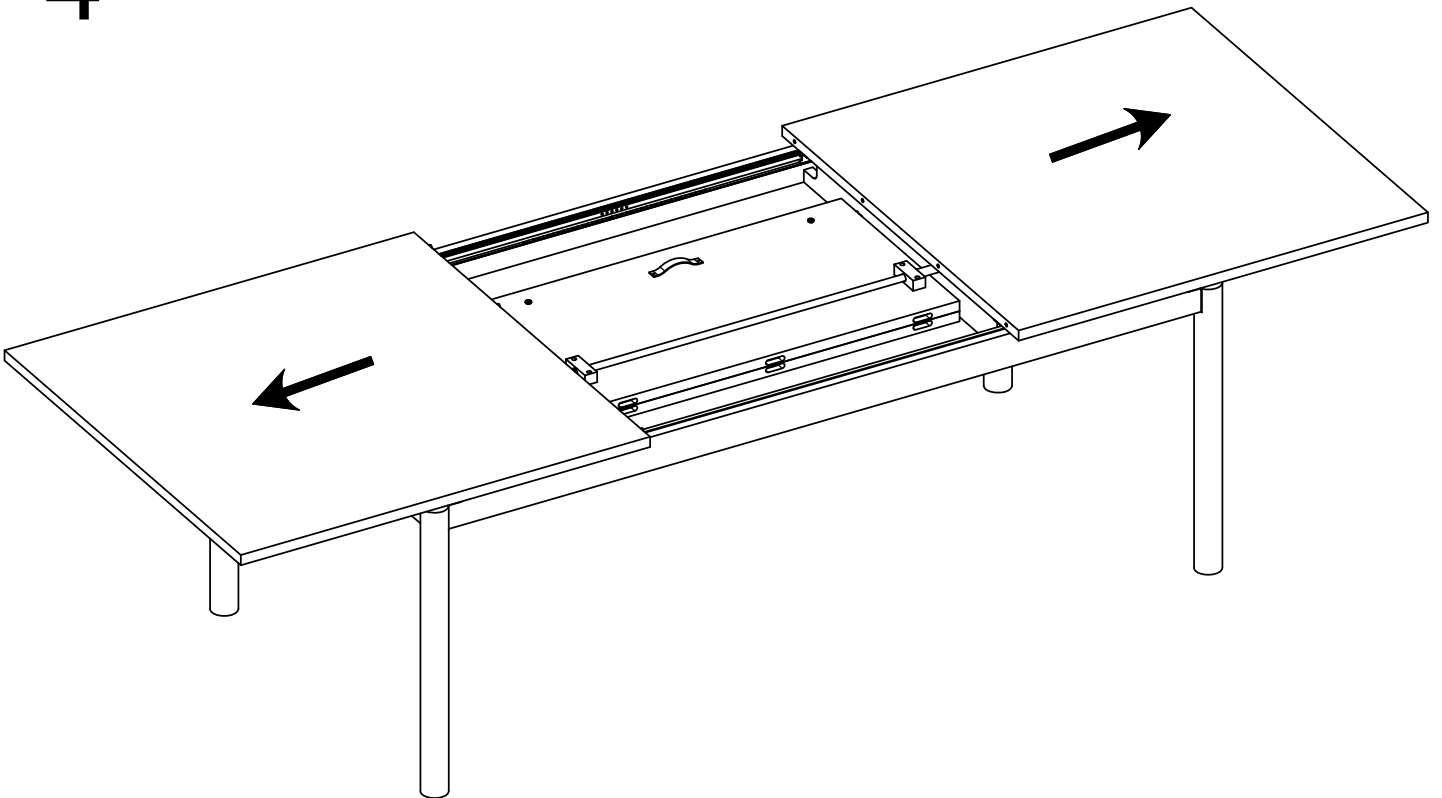
E x 4  Ø 35x3 mm



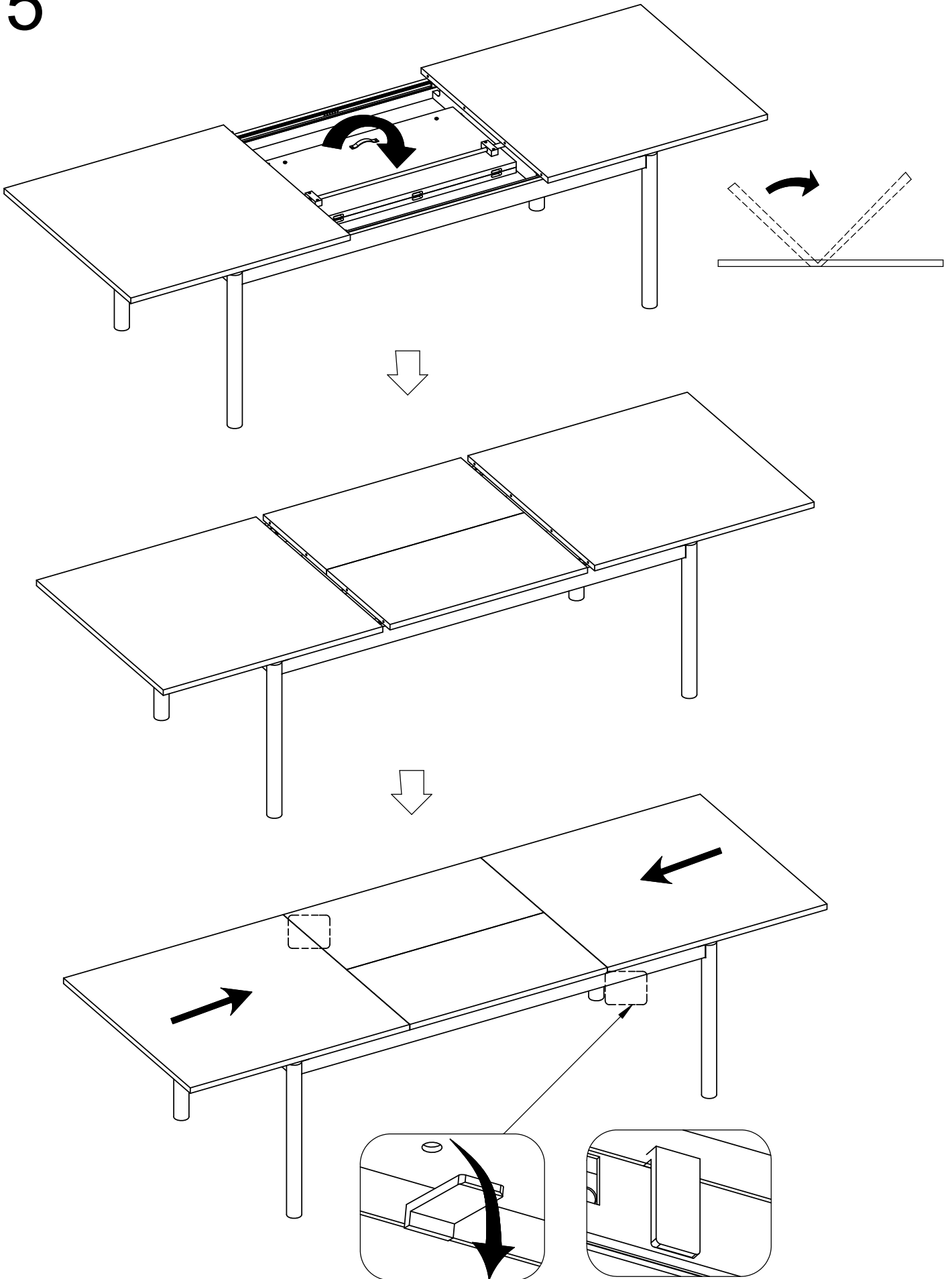
3



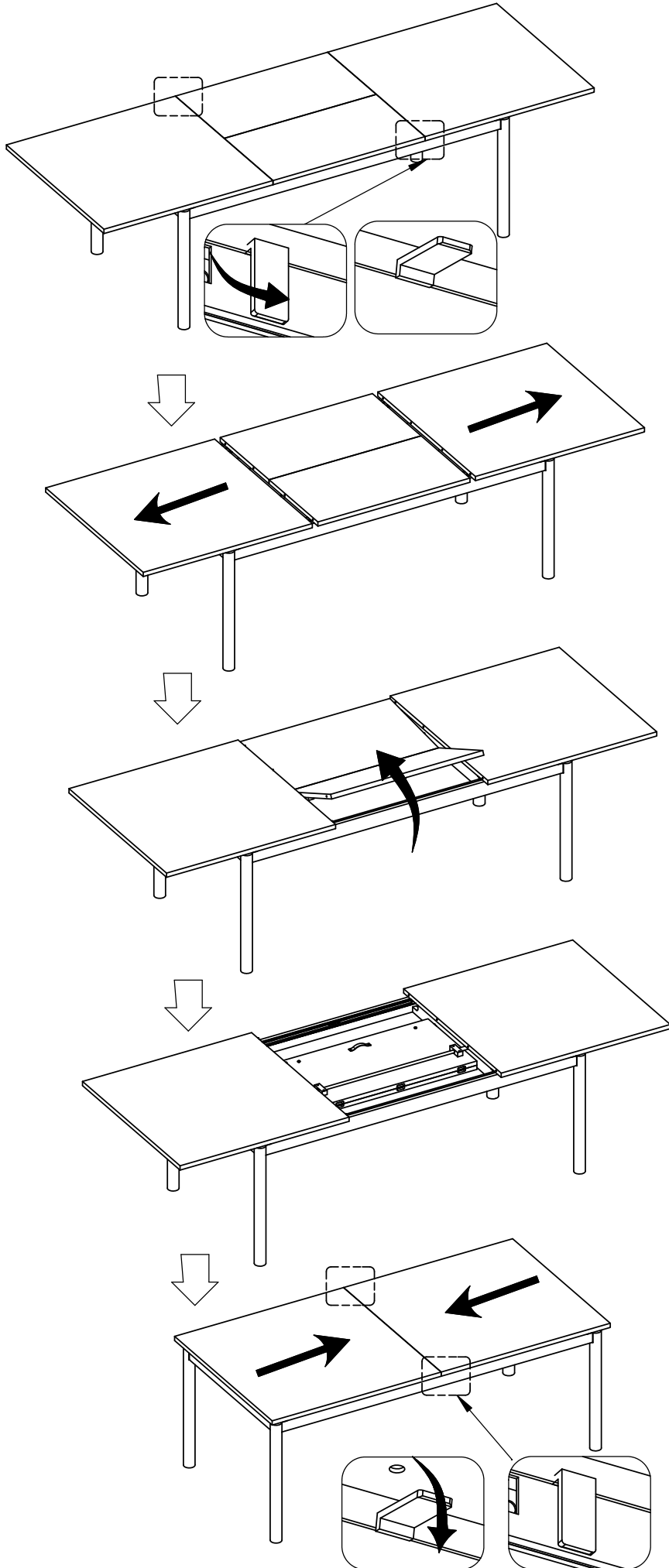
4



5



6



7

